



FLUIDPRO® SERIES

MEMBRANE AIR DRYERS
WITH OPTIONAL PREFILTRATION
AND OPTIONAL PURGE CONTROL



ENGINEERED FILTRATION

FLUIDPRO® SERIES

MEMBRANE AIR DRYERS WITH OPTIONAL PREFILTRATION AND OPTIONAL PURGE CONTROL

CLEAN & DRY AIR FOR COMPRESSED AIR APPLICATIONS

STATE-OF-THE-ART MEMBRANE TECHNOLOGY

The FluidPro® Membrane Air Dryer technology is proven to make it easier and less expensive to provide pneumatic equipment and instrumentation with clean, dry compressed air. Building on this success, Pentair has developed a new line of membrane air dryers with optional prefiltration and optional purge control.

The coalescing submicron prefilter is an option that helps to enable the membrane air dryer to operate at peak efficiency. For maximum control and maximum flexibility, the purge control feature enables customers to turn purge air on and off or even change purge flow rates. This helps to enable purge waste minimization, the utilization of a purge gas other than the gas that is being dehydrated, and more consistent performance in cycling applications.



FEATURES AND BENEFITS

- Proven air technology with consistent and predictable performance
- Compact and lightweight, easily integrate into existing compressed air systems
- Low purge air consumption
- Protection for high performance membrane dryer (with optional coalescing prefilter)
- Silent operation, no moving parts
- No electricity
- 24/7 Attendance free operation

FLUIDPRO® SERIES

MEMBRANE AIR DRYERS WITH OPTIONAL PREFILTRATION AND OPTIONAL PURGE CONTROL

CLEAN & DRY AIR FOR COMPRESSED AIR APPLICATIONS

SPECIFICATIONS

COMPONENT	MATERIAL / VALUE
AIR DRYER	
Air Dryer Shell Material	Blue Aluminum
Air Dryer End Cap Material	See dimensions table
Air Dryer Mounting Orientation Standard Module	Any
Maximum Operating Temperature	80°C (176°F)
Maximum Operating Pressure	12.5 barg (180 psi)
Typical Pressure Drop	0.2 to 0.5 barg (3 to 7 psi)
Required Filtration (if mounted on an oil-free compressor)	0.1 micron coalescing filter
Required Filtration (if mounted on a lubricated compressor)	0.01 micron coalescing filter
OPTIONAL PREFILTER	
Prefilter Media Type	Borosilicate Glass
Prefilter Housing	Black Aluminum
Mounting Orientation of Prefilter	Vertical
Particle Removal	0.01 micron
Max Oil Carryover @ 20 °C	0.01 mg/m ³

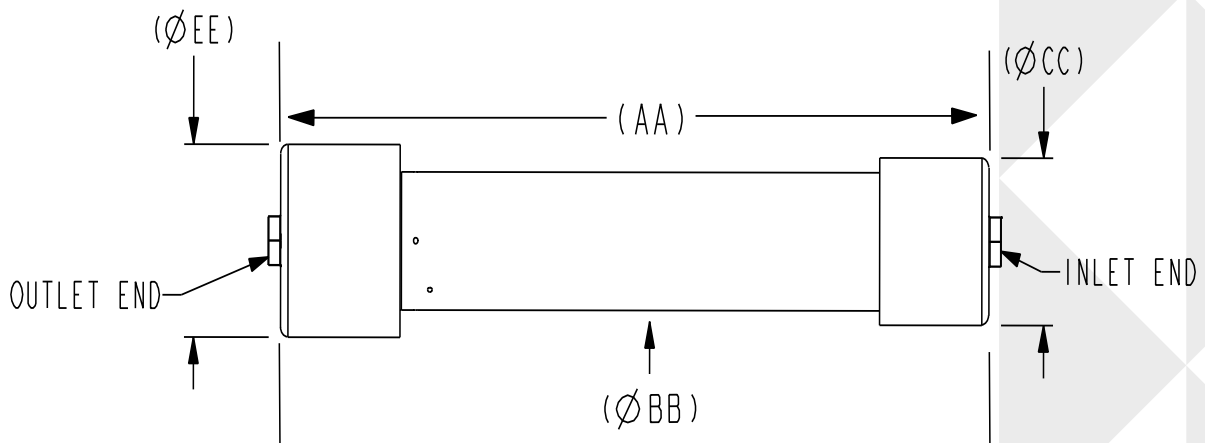
FLUIDPRO® SERIES

MEMBRANE AIR DRYERS WITH OPTIONAL PREFILTRATION AND OPTIONAL PURGE CONTROL

CLEAN & DRY AIR FOR COMPRESSED AIR APPLICATIONS

AIR DRYER DIMENSIONS, MM (IN)

Air Dryer	AA	BB	CC	EE	Inlet/Outlet Connections BSPT/ NPT	Air Dryer End Cap Material
FluidPro® 50	224 (8.8)	43 (1.7)	58 (2.3)	58 (2.3)	1/4	Nylon
FluidPro® 100	325 (12.8)	43 (1.7)	58 (2.3)	58 (2.3)	1/4	Nylon
FluidPro® 150	427 (16.8)	43 (1.7)	58 (2.3)	58 (2.3)	1/4	Nylon
FluidPro® 200	503 (19.8)	43 (1.7)	58 (2.3)	58 (2.3)	1/4	Nylon
FluidPro® 300	312 (12.3)	61 (2.4)	81 (3.2)	81 (3.2)	1/2	Nylon
FluidPro® 400	376 (14.8)	61 (2.4)	81 (3.2)	81 (3.2)	1/2	Nylon
FluidPro® 600	465 (18.3)	61 (2.4)	81 (3.2)	81 (3.2)	1/2	Nylon
FluidPro® 800	592 (23.3)	61 (2.4)	81 (3.2)	81 (3.2)	1/2	Nylon
FluidPro® 1050	411 (16.2)	89 (3.5)	109 (4.3)	109 (4.3)	1/2	Nylon
FluidPro® 1500	551 (21.7)	89 (3.5)	109 (4.3)	124 (4.9)	1/2	Nylon inlet, Aluminum outlet
FluidPro® 2050	627 (24.7)	89 (3.5)	109 (4.3)	124 (4.9)	1/2	Nylon inlet, Aluminum outlet
FluidPro® 3000	607 (23.9)	114 (4.5)	132 (5.2)	150 (5.9)	1	Aluminum



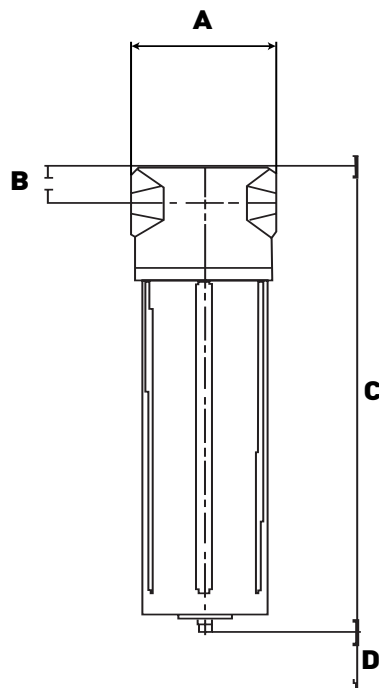
FLUIDPRO® SERIES

MEMBRANE AIR DRYERS WITH OPTIONAL PREFILTRATION AND OPTIONAL PURGE CONTROL

CLEAN & DRY AIR FOR COMPRESSED AIR APPLICATIONS

PREFILTER HOUSING DIMENSIONS, MM (IN)

Air Dryer	A	B	C	Clearance [D]	Prefilter Port Connection (E) (BSPT/NPT)
FluidPro® 50	70 (2.8)	20 (0.8)	195 (7.7)	275 (10.8)	3/8
FluidPro® 100	70 (2.8)	20 (0.8)	195 (7.7)	275 (10.8)	3/8
FluidPro® 150	70 (2.8)	20 (0.8)	195 (7.7)	275 (10.8)	3/8
FluidPro® 200	70 (2.8)	20 (0.8)	195 (7.7)	275 (10.8)	3/8
FluidPro® 300	70 (2.8)	20 (0.8)	195 (7.7)	275 (10.8)	3/8
FluidPro® 400	70 (2.8)	20 (0.8)	195 (7.7)	275 (10.8)	3/8
FluidPro® 600	95 (3.7)	21 (0.8)	240 (9.4)	275 (10.8)	1/2
FluidPro® 800	95 (3.7)	21 (0.8)	240 (9.4)	275 (10.8)	1/2
FluidPro® 1050	95 (3.7)	21 (0.8)	240 (9.4)	275 (10.8)	1/2
FluidPro® 1500	95 (3.7)	21 (0.8)	240 (9.4)	275 (10.8)	1/2
FluidPro® 2050	122 (4.8)	35 (1.4)	405 (15.9)	275 (10.8)	1
FluidPro® 3000	122 (4.8)	35 (1.4)	405 (15.9)	275 (10.8)	1



FLUIDPRO® SERIES

MEMBRANE AIR DRYERS WITH OPTIONAL PREFILTRATION AND OPTIONAL PURGE CONTROL

CLEAN & DRY AIR FOR COMPRESSED AIR APPLICATIONS

PERFORMANCE DATA

Inlet Conditions:		@ 7 barg (100 psig), 35°C (95 °F) to:			
Outlet Pressure Dew Point		15°C (59°F)	3°C (37°F)	-20°C (-4°F)	-40°C (-40°F)
% Purge		10%	14%	21%	29%
% Water Removal		69.70%	86.53%	98.20%	99.77%
Air Dryer	Purge Air slpm (scfm)	Inlet Air Flow slpm (scfm)	Inlet Air Flow slpm (scfm)	Inlet Air Flow slpm (scfm)	Inlet Air Flow slpm (scfm)
FluidPro® 50	5 (0.2)	50 (1.8)	36 (1.3)	24 (0.8)	17 (0.6)
FluidPro® 100	10 (0.4)	100 (3.5)	71 (2.5)	47 (1.7)	34 (1.2)
FluidPro® 150	16 (0.6)	150 (5.3)	107 (3.8)	71 (2.5)	51 (1.8)
FluidPro® 200	19 (0.7)	200 (7.1)	142 (5.0)	95 (3.4)	69 (2.4)
FluidPro® 300	29 (1.0)	300 (10.6)	213 (7.5)	142 (5.0)	103 (3.6)
FluidPro® 400	38 (1.3)	400 (14.1)	284 (10.0)	189 (6.7)	137 (4.8)
FluidPro® 600	57 (2.0)	600 (21.2)	427 (15.1)	284 (10.0)	206 (7.3)
FluidPro® 800	76 (2.7)	800 (28.3)	569 (20.1)	379 (13.4)	274 (9.7)
FluidPro® 1050	103 (3.6)	1050 (37.1)	747 (26.4)	497 (17.6)	360 (12.7)
FluidPro® 1500	150 (5.3)	1500 (53.0)	1120 (39.6)	730 (25.8)	518 (18.3)
FluidPro® 2050	208 (7.3)	2050 (72.4)	1530 (54.0)	980 (34.6)	710 (25.1)
FluidPro® 3000	300 (10.6)	3000 (106.0)	2135 (75.4)	1425 (50.3)	1025 (36.2)

Purge tolerance +3% of maximum inlet flow range.

CORRECTION FACTORS FOR ALTERNATE PRESSURES

Performance Correction Factors for Alternate Pressures									
For maximum flow rate, multiply flow rate shown in above table by the correction factor corresponding to the working pressure									
Operating Pressure barg (psig)	4 (58)	5 (73)	6 (87)	7 (100)	8 (116)	9 (131)	10 (145)	11 (160)	12 (174)
Correction Factor	0.4	0.6	0.8	1.0	1.2	1.5	1.7	1.9	2.2
Equation for determining inlet flow at designated pressure: Inlet flow @ 7 barg (101.5 psig.) x Correction Factor at Different Operating Pressure = Inlet Flow at Different Operating pressure									

* Performance Correction Factors for Alternate Pressures are available upon request.

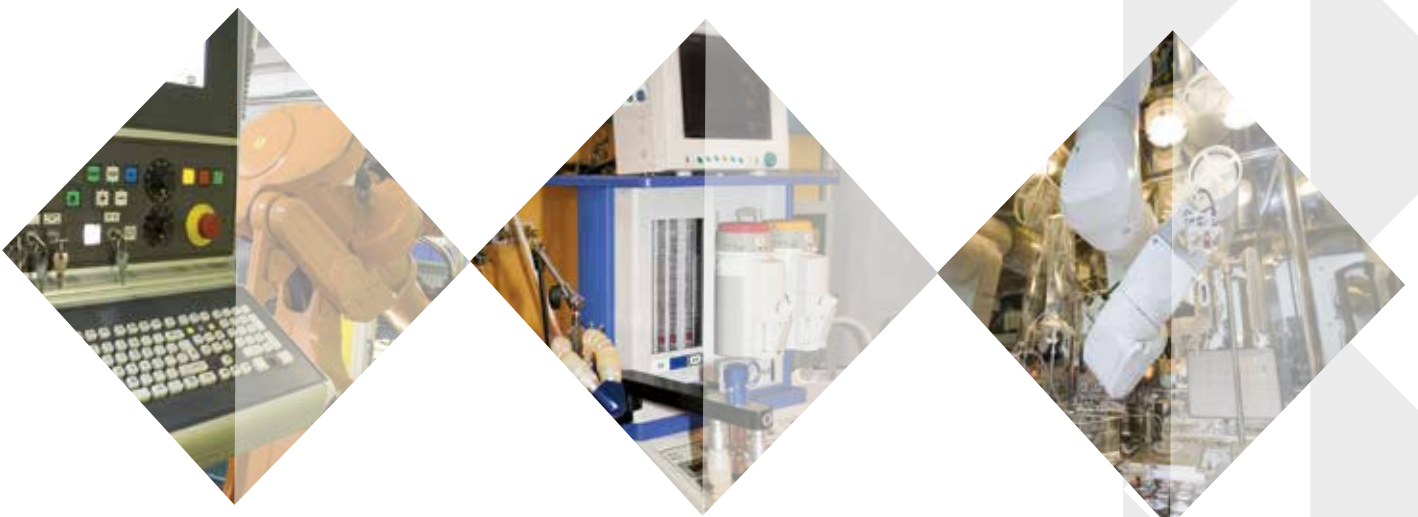
FLUIDPRO® SERIES

MEMBRANE AIR DRYERS WITH OPTIONAL PREFILTRATION AND OPTIONAL PURGE CONTROL

CLEAN & DRY AIR FOR COMPRESSED AIR APPLICATIONS

ORDER INFORMATION (AVAILABLE IN BSPT AND NPT, **REMOVE -N FOR THE BSPT VERSION**)

Air Dryer	Part Number	TRADITIONAL FLUIDPRO			FLUIDPRO WITH PURGE CONTROL						
		Minimum Order Quantity	Fluidpro Est. Shipping Weight per air dryer		Part Number with prefiltration	Minimum Order Quantity	Fluidpro PF Shipping Weight per assembly		Part Number without prefiltration	Pentair Part Number with prefiltration	Replacement Filter Element
			(lb)	(kg)			(lb)	(kg)			
FluidPro® 50	555726-88-N	6	1.1	0.5	555726-88-N-PF	4	5.8	2.6	-----	-----	PFH002-EY
FluidPro® 100	555727-88-N	9	1.5	0.7	555727-88-N-PF	4	6.1	2.8	-----	-----	PFH002-EY
FluidPro® 150	555728-88-N	6	1.8	0.8	555728-88-N-PF	4	6.4	2.9	-----	-----	PFH002-EY
FluidPro® 200	555729-88-N	9	2.1	0.9	555729-88-N-PF	4	6.7	3.0	-----	-----	PFH002-EY
FluidPro® 300	555730-88-N	9	2.4	1.1	555730-88-N-PF	4	7.0	3.2	-----	-----	PFH002-EY
FluidPro® 400	555731-88-N	9	2.7	1.2	555731-88-N-PF	1	7.8	3.5	-----	-----	PFH002-EY
FluidPro® 600	555732-88-N	9	3.2	1.5	555732-88-N-PF	1	9.9	4.5	-----	-----	PFH004-EY
FluidPro® 800	555733-88-N	9	3.8	1.7	555733-88-N-PF	1	10.5	4.7	-----	-----	PFH004-EY
FluidPro® 1050	555734-88-N	4	4.4	2.0	555734-88-N-PF	1	11.0	5.0	-----	-----	PFH004-EY
FluidPro® 1500	555735-88-N	1	11.4	5.2	555735-88-N-PF	1	15.1	6.8	555735-88-N-P	555735-88-N-P-PF	PFH006-EY
FluidPro® 2050	555736-88-N	1	12.1	5.5	555736-88-N-PF	1	22.8	10.3	555736-88-N-P	555736-88-N-P-PF	PFH012-EY
FluidPro® 3000	555737-88-N	1	17.1	7.8	555737-88-N-PF	1	27.8	12.6	555737-88-N-P	555737-88-N-P-PF	PFH012-EY



For more information on Pentair Engineered Filtration, please contact us at EFCustomerService@pentair.com



ENGINEERED FILTRATION

1350 HAMMOND RD., ST. PAUL , MN 55110, USA . +651.653.2000 MAIN, +651.653.2230 FAX, EFCUSTOMERSERVICE@PENTAIR.COM

All Pentair trademarks and logos are owned by Pentair, Inc. All other brand or product names are trademarks or registered marks of their respective owners. Because we are continuously improving our products and services, Pentair reserves the right to change specifications without prior notice.

© 2014 Pentair, Inc. All Rights Reserved.