

# DBF32

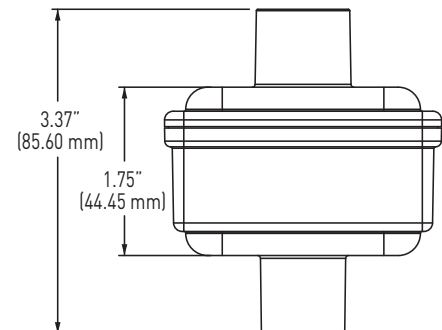
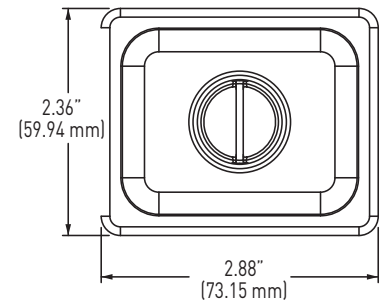
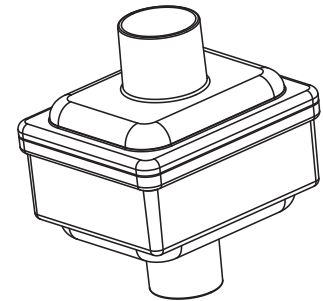
## DISPOSABLE BACTERIAL INTAKE FILTER

### BREATHING CIRCUIT FILTERS

For a reusable bacterial intake filter, please ask your sales representative about the DBF23.

### SPECIFICATIONS

COMPONENT	MATERIAL / VALUE
DOP/NaCl Efficiency	>99.97% @ 3.5 scfm (100 slpm)
Bacterial Efficiency (BFE)	>99.999% @ 1.7 scfm (48 slpm)
Viral Efficiency (VFE)	>99.999% @ 1.7 scfm (48 slpm)
Resistance to Flow	<2.0 cm H <sub>2</sub> O @ 2.1 scfm (60 slpm) <3.0 cm H <sub>2</sub> O @ 3.5 scfm (100 slpm)
Connections	Male 22 mm Female 22 mm
FILTER LIFE	
Main Line Placement	Single Patient Use, recommended filter change 24 hours
Inspiratory Line Placement	Single Patient Use, recommended filter change 24 hours



### ENGINEERED FILTRATION

1350 HAMMOND RD., ST. PAUL, MN 55110, USA. +651.653.2000 MAIN, +651.653.2230 FAX, EFCUSTOMERSERVICE@PENTAIR.COM  
[HTTP://ENGINEEREDFILTRATION.PENTAIR.COM](http://engineeredfiltration.pentair.com)

All Pentair trademarks and logos are owned by Pentair, Inc. or its affiliates. All other registered and unregistered trademarks and logos are the property of their respective owners. Because we are continuously improving our products and services, Pentair reserves the right to change specifications without prior notice. Pentair is an equal opportunity employer.

© 2017 Pentair, Inc. All Rights Reserved.

© Notice / TM Ownership Statement

TDBF3203\_LTRE2017